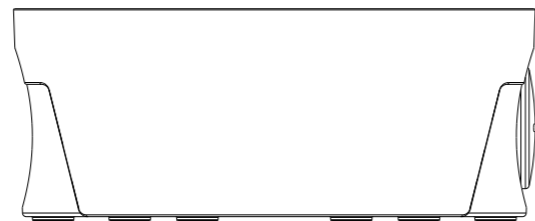
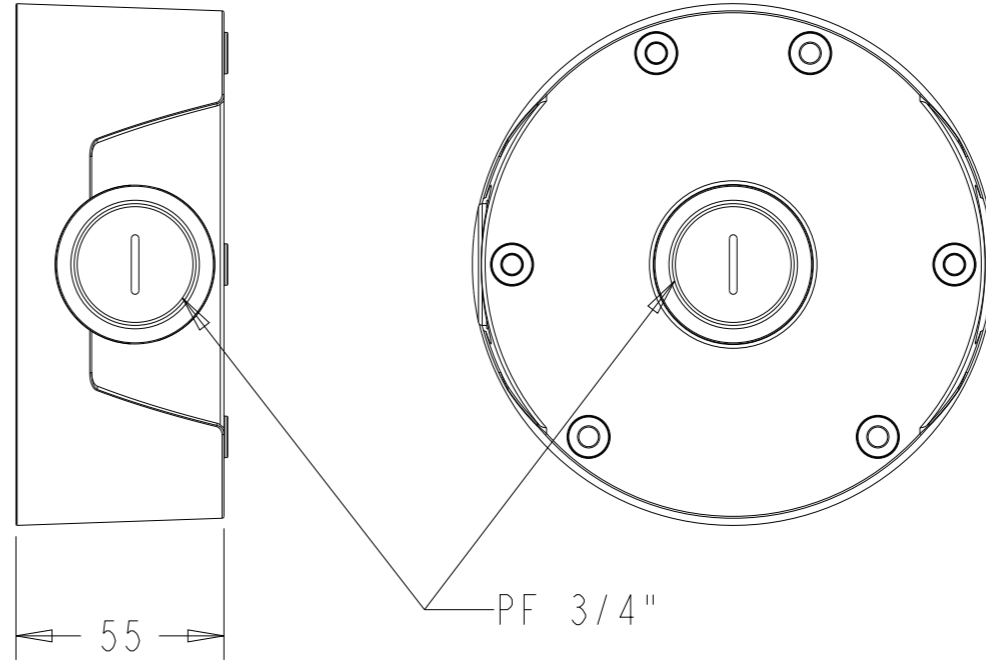
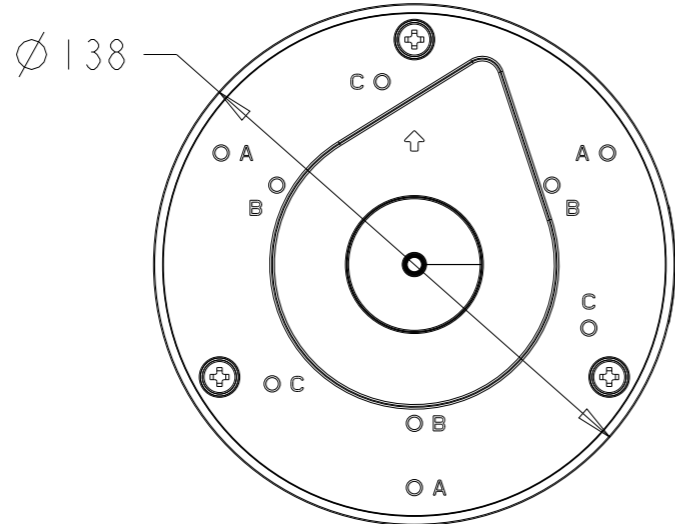
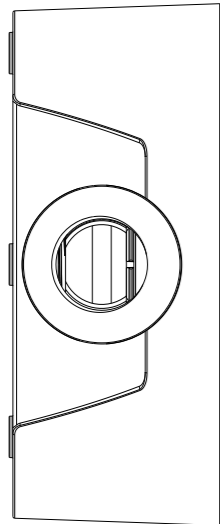
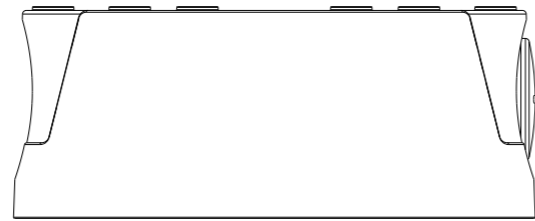


REVISIONS				
REV	DESCRIPTION	ENGINEER	REQUIRE	DATE
1.0	New Edition			Sep-26-19



UNLESS OTHERWISE SPECIFIED  
ALL DIMENSIONS ARE IN mm

TOLERANCE ON:  
 LINEAR : <math><30 \pm 0.10</math>  
           <math>30-50 \pm 0.15</math>  
           <math>50-100 \pm 0.18</math>  
           <math>100-200 \pm 0.20</math>  
           <math>200-300 \pm 0.25</math>  
           <math>>300 \pm 0.30</math>

ANGULAR: X  $\pm 1^\circ$   
 X.X  $\pm 0.5^\circ$

 VIVOTEK Incorporated	PART NO.		MODEL		AM-71B	
	ENGR	Jesen	DRAWING TITLE		AM-71B-6VIEW	
<small>THIS DRAWING ON THIS PRINT AND INFORMATION THEREWITH ARE PROPRIETARY TO VIVOTEK INC. AND SHALL NOT BE USED OR DISCUSSED IN WHOLE OR IN PART WITHOUT VIVOTEK'S CONSENT.</small>	DRN	Jesen	DRAWING NO.		FORM-V02.2014-12-16	
	CHK		ISSUE DATE		Sep-26-19	REVISION 1.0
APRV		SCALE		0.500	UNIT	mm
M'TL		SIZE		A3	SHEET	1 OF 1
FINISH		第三角法				
CP02-WI-014-01-4						