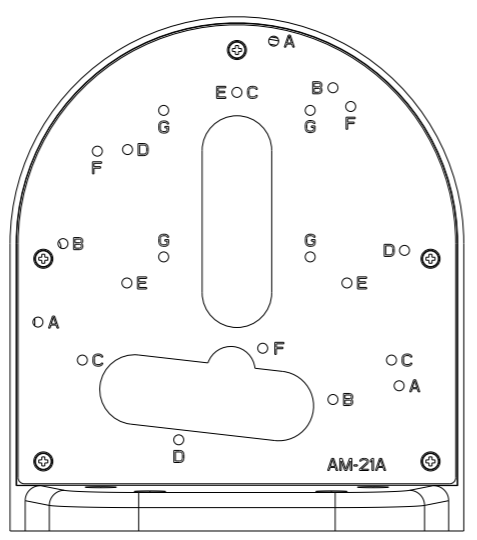
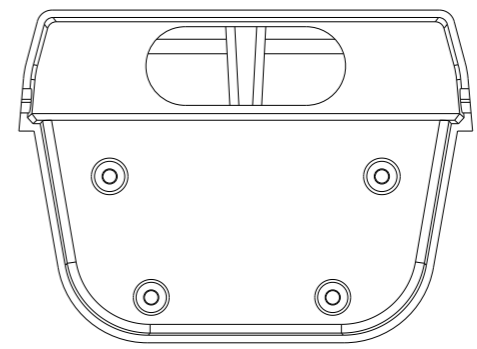
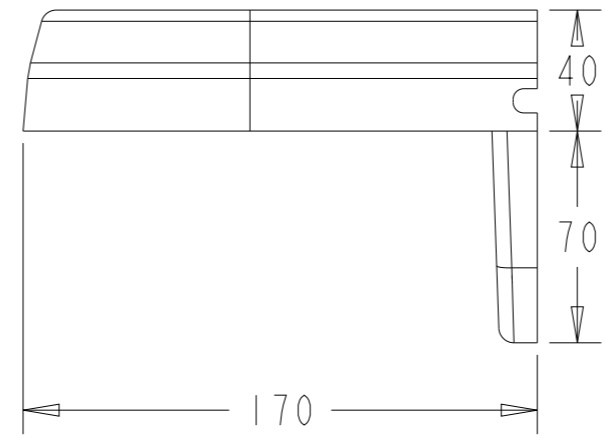
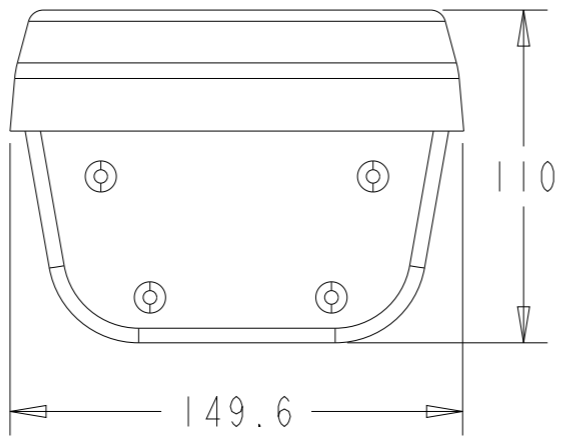
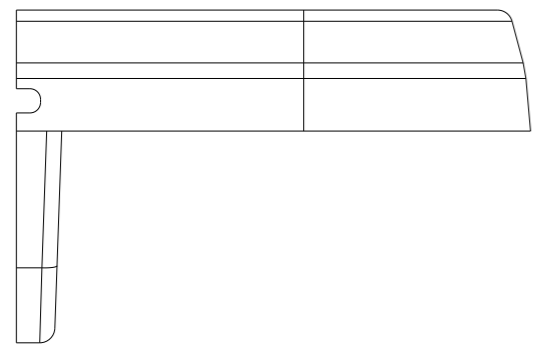
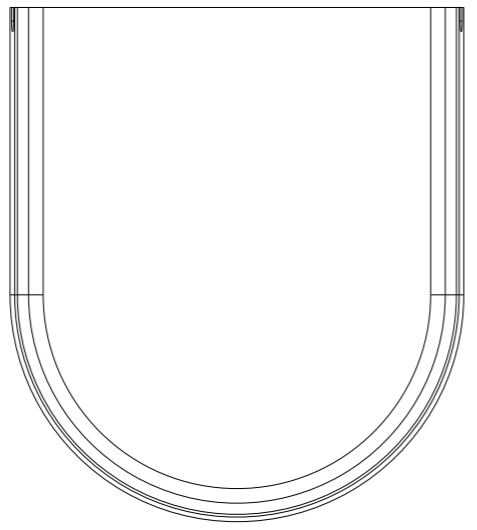


REVISIONS				
REV	DESCRIPTION	ENGINEER	REQUIRE	DATE
1.0	New Edition			Apr-23-19



M4x0.7P
(A, B, C, D, E, F, G)

UNLESS OTHERWISE SPECIFIED
ALL DIMENSIONS ARE IN mm

TOLERANCE ON:
 LINEAR : <30 ±0.10
 30-50 ±0.15
 50-100 ±0.18
 100-200 ±0.20
 200-300 ±0.25
 >300 ±0.30

ANGULAR: X ±1°
 X.X ±0.5°

 VIVOTEK Incorporated	PART NO.		MODEL		AM-21A	
	ENGR	Jesen	DRAWING TITLE		AM-21A-6VIEW	
<small>THIS DRAWING ON THIS PRINT AND INFORMATION THEREWITH ARE PROPRIETARY TO VIVOTEK INC. AND SHALL NOT BE USED OR DISCUSSED IN WHOLE OR IN PART WITHOUT VIVOTEK'S CONSENT.</small>	DRN	Jesen	DRAWING NO.		FORM-V02.2014-12-16	
	CHK		ISSUE DATE		Apr-23-19	REVISION
<small>WI-RD-03-01-4</small>	APRV		SCALE	0.500	UNIT	mm
	M'TL		SIZE	A3	SHEET	1 OF 1
 第三角法	FINISH					