



Technical Specifications



MOBOTIX D26B Dome

Classic Design. Unique Technology.

A compact, intelligent IP video system with a lens that can be positioned manually. A shock-resistant 1.5-mm polycarbonate dome (IK10) makes this camera weatherproof. The MOBOTIX D26B offers the same trailblazing system platform as all the other cameras in the latest generation of MOBOTIX x26/x16 technology.

- Mx6 system platform 2nd generation, with MxBus, H.264 and ONVIF compatibility
- Recording on an internal MicroSD card (4 GB as standard)
- Available in day or night variants (6MP color or B&W sensor)
- Large selection of lenses with viewing angles from 15° to 103°
- Equipped with shock detector and MxAnalytics as standard
- Weatherproof and shock-resistant housing (IP66, IK10)
- Accessories for ceiling installation and vandalism protection

Technical Specifications: D26B Dome

| Camera Variants | D26B Body Day Or Night Lens For Self-Assembly | D26B Day Complete Camera | D26B Night Complete Camera |
|---|---|---|----------------------------|
| Specialties | D26B Body with 6MP Day or Night sensor: Mx-D26B-6D or Mx-D26B-6N ; Lenses available separately for self-assembly | Factory-assembled D26B Day or Night cameras with sharply focused lens (not available in the Americas) | |
| Lenses | D26B Body Day Or Night Lens For Self-Assembly | D26B Day Complete Camera | D26B Night Complete Camera |
| Ultra Wide Lens MX-B036 (f/1.8, 103° x 77°) | Lens selection for D26B Body Day/Night Body Day: Mx- D26B-6D Body Night: Mx-D26B-6N | Mx-D26B-6D036 | Mx-D26B-6N036 |
| Super Wide Lens MX-B041 (f/1.8, 90° x 67°) | | Mx-D26B-6D041 | Mx-D26B-6N041 |
| Wide Lens MX-B061 (f/1.8, 60° x 45°) | | Mx-D26B-6D061 | Mx-D26B-6N061 |
| Standard Lens MX-B079 (f/1.8, 45° x 34°) | | Mx-D26B-6D079 | Mx-D26B-6N079 |
| Tele Lens MX-B119 (f/1.8, 31° x 23°) | | Mx-D26B-6D119 | Mx-D26B-6N119 |
| Distant Tele Lens MX-B237 (f/1.8, 15° x 11°) | | Mx-D26B-6D237 | Mx-D26B-6N237 |

| Hardware | D26B Body Day Or Night Lens For Self-Assembly | D26B Day Complete Camera | D26B Night Complete Camera |
|--|--|--------------------------|----------------------------|
| Image sensor with individual exposure zones | Color or Black & White (B/W) | Color | B/W |
| Light sensitivity in lux at 1/60 s and 1/1 s | 0.1/0.005 (Color) 0.02/0.001 (B/W) | 0.1/0.005 (Color) | 0.02/0.001 (B/W) |
| Image sensor (color or B/W sensor) | 1/1.8" CMOS, 6MP (3072 x 2048), Progressive Scan | | |
| Microprocessor | i.MX 6 Dual Core incl. GPU (1 GB RAM, 512 MB Flash) | | |
| H.264 Hardware Codec | Yes, bandwidth limitation available; output image format up to QXGA | | |
| Protection classes | IP66 and IK10 (with and without Vandalism Set) | | |
| Intended use | Not for use in hazardous areas (Ex area) | | |
| Ambient temperature (range, incl. storage) | -40 to 50°C/-40 to 122°F (cold boot from -30°C/-22°F) | | |
| Internal DVR, ex works | 4 GB (microSD) | | |
| Microphone/speaker | No/No (optional audio extension via external ExtIO module) | | |
| Passive infrared sensor (PIR) | No | | |
| Temperature sensor | Yes | | |
| Shock detector (tamper detection) | Yes | | |
| Power consumption (typically at 20°C/68°F) | 5 watts | | |
| PoE Class (IEEE 802.3af) | Class 2 or 3 (variable), factory setting: class 3 | | |
| Interfaces Ethernet 100BaseT/MxBus/USB | Yes (MxRJ45)/Yes/Yes | | |
| Interface RS232 | With MX-232-IO-Box (Order Nr: MX-OPT-RS1-EXT) | | |
| Mounting options | Wall, ceiling or pole (with optional Wall & Pole/Corner Mount Set) | | |
| Dimensions (height x diameter) | 86 x 160 mm | | |
| Weight | 350 g | | |
| Housing | Fixed Dome, PBT-30GF, color: white | | |
| Standard accessory | Screws, dowels, allen screw, toothed wrench, Torx wrench, 0.5 m ethernet patch cable, Quick Install, 1x lens cover | | |
| Detailed technical documentation | www.mobotix.com > Support > Download Center | | |
| Online version of this document | www.mobotix.com > Support > Download Center | | |
| MTBF | > 80,000 hours | | |

Technical Specifications: D26B Dome

| Hardware | D26B Body Day Or Night Lens For Self-Assembly | D26B Day Complete Camera | D26B Night Complete Camera |
|---|--|--------------------------|----------------------------|
| Certifications | EN55022:2010; EN55024:2010; EN50121-4:2006 EN61000-6-1:2007; EN 61000-6-2:2005 EN61000-6-3:2007+A1:2011 EN61000-6-4:2007+A1:2011 AS/ NZS CISPR22:2009+A1:2010 CFR47 FCC part15B | | |
| Protocols | IPv4, IPv6, HTTP, HTTPS, FTP, FTPS, RTP, RTSP, UDP, SNMP, SMTP, DHCP (client and server), NTP (client and server), SIP (client and server) G.711 (PCMA and PCMU) and G.722 | | |
| Manufacturer's warranty (since May 2018) | 3 years | | |
| Image Formats, Frame Rates, Image Storage | D26B Body Day Or Night Lens For Self-Assembly | D26B Day Complete Camera | D26B Night Complete Camera |
| Available video codecs | MxPEG/MJPEG/H.264 | | |
| Image formats | Freely configurable format 4:3, 8:3, 16:9 or customized format (Image Cropping), such as 2592x1944 (5MP), 2048x1536 (QXGA), 1920x1080 (Full-HD), 1280x960 (MEGA) | | |
| Multistreaming | Yes | | |
| Multicast stream via RTSP | Yes | | |
| Max. image format | 6MP (3072 x 2048) | | |
| Max. frame rate (fps, only single core used) | MxPEG: 42@HD(1280x720), 34@Full-HD, 24@QXGA, 15@5MP, 12@6MP MJPEG: 26@HD(1280x720), 13@Full-HD, 9@QXGA, 5@5MP, 4@6MP H.264: 25@Full-HD, 20@QXGA | | |
| Number of images with 4 GB microSD (internal DVR) | CIF: 250,000, VGA: 125,000, HD: 40,000, QXGA: 20,000, 6MP: 10,000 | | |

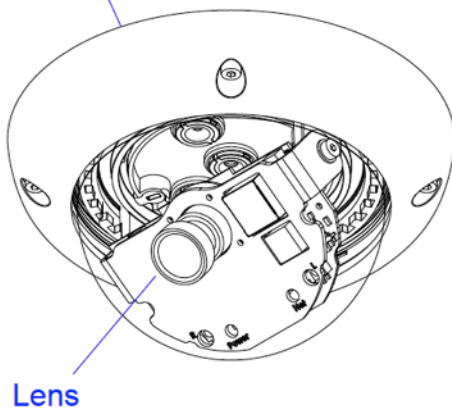


| General Functions | D26B Body Day Or Night Lens For Self-Assembly | D26B Day Complete Camera | D26B Night Complete Camera |
|--|---|--------------------------|----------------------------|
| Digital zoom and pan | Yes | | |
| ONVIF compatibility | Yes (Profile S, audio support with camera firmware V5.2.x and higher) | | |
| Genetec protocol integration | Yes | | |
| Programmable exposure zones | Yes | | |
| Snapshot recording (pre/post-alarm images) | Yes | | |
| Continuous recording with audio | With external audio accessory (MOBOTIX ExtIO) | | |
| Event recording with audio | With external audio accessory (MOBOTIX ExtIO) | | |
| Time controlled flexible event logic | Yes | | |
| Weekly schedules for recordings and actions | Yes | | |
| Event video and image transfer via FTP and email | Yes | | |
| Playback and QuadView via web browser | Yes | | |
| Bidirectional audio in browser | With external audio accessory (MOBOTIX ExtIO) | | |
| Animated logos on the image | Yes | | |

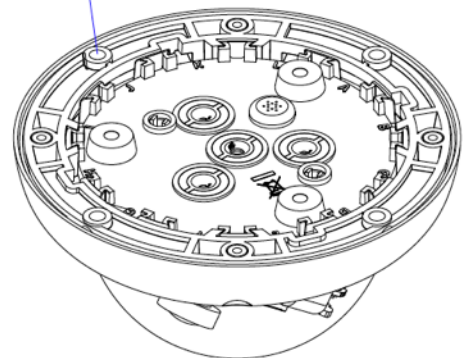
Technical Specifications: D26B Dome

| General Functions | D26B Body Day Or Night Lens For Self-Assembly | D26B Day Complete Camera | D26B Night Complete Camera |
|---|---|---|----------------------------|
| Master/Slave functionality | | Yes | |
| Privacy zone scheduling | | Yes | |
| Customized voice messages | | Yes | |
| VoIP telephony (audio, alert) | | With external audio accessory (MOBOTIX ExtIO) | |
| Remote alarm notification (network message) | | Yes | |
| Programming interface (HTTP-API) | | Yes | |
| DVR | Inside camera via microSD card, externally via USB device and NAS, different streams for live image and recording, MxFFS with archive function, pre-alarm an post-alarm images, monitoring recording with failure reporting | | |
| Camera and data security | User and group management, SSL connections, IP-based access control, IEEE802.1x, intrusion detection, digital image signature | | |
| MxMessageSystem: Sending and receiving of MxMessages | | Yes | |
| Video Analysis | D26B Body Day Or Night Lens For Self-Assembly | D26B Day Complete Camera | D26B Night Complete Camera |
| Video motion detector | | Yes | |
| MxActivitySensor | | Yes | |
| MxAnalytics | | Yes (Heatmaps, counting corridors) | |
| Video Management Software | D26B Body Day Or Night Lens For Self-Assembly | D26B Day Complete Camera | D26B Night Complete Camera |
| MxManagementCenter | | Yes | |
| Mobile MOBOTIX App | | Yes | |

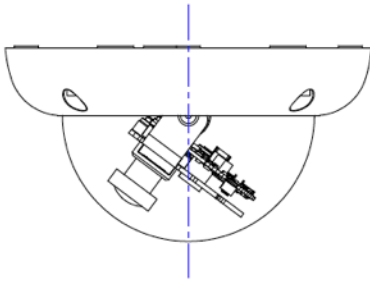
Camera housing



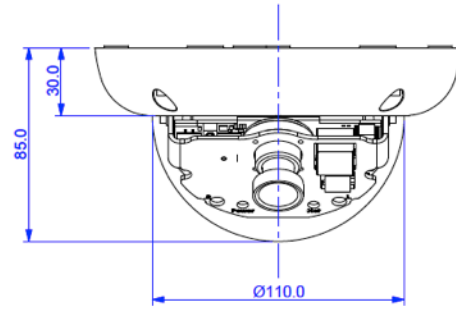
Mounting ring



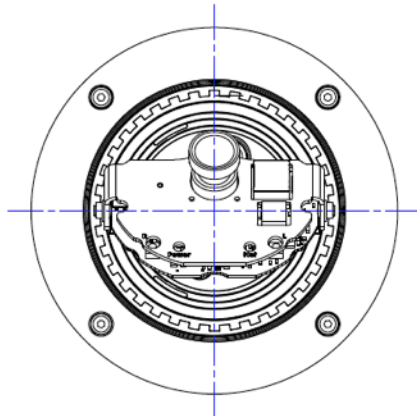
Side



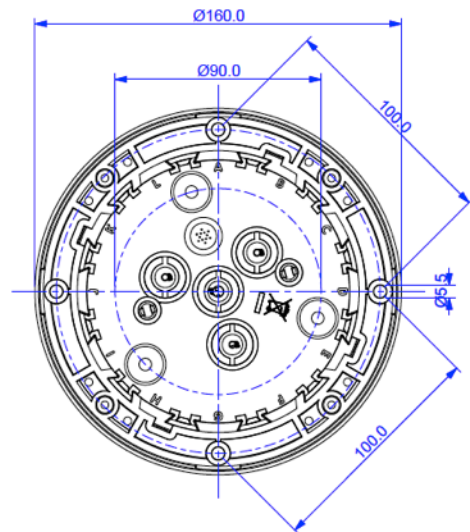
Front



Top



Bottom



Dimensions in mm