

1

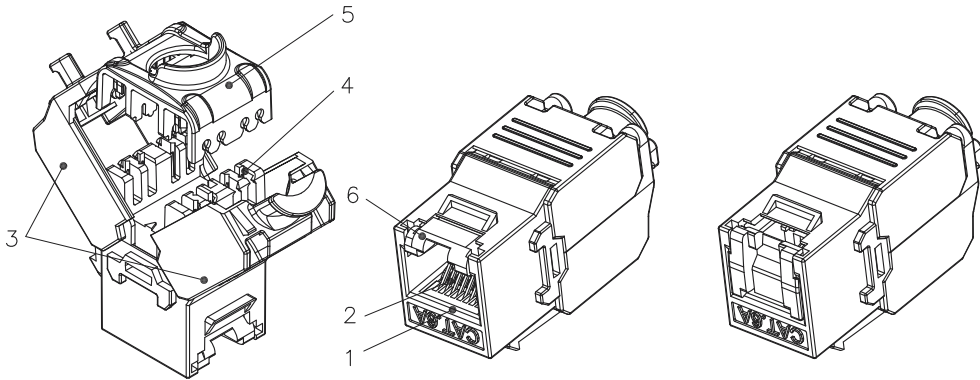
2

3

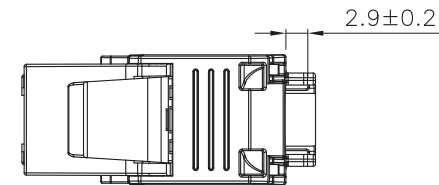
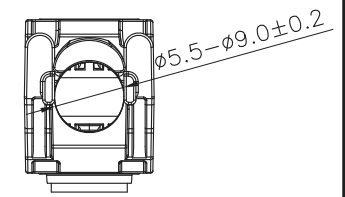
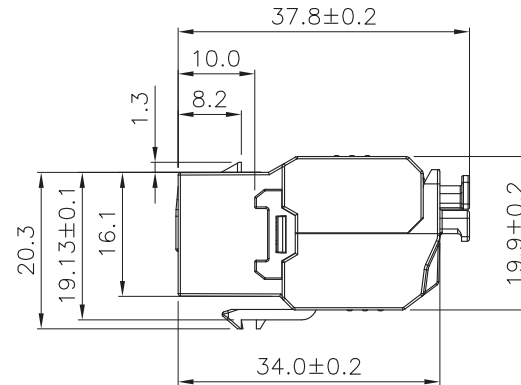
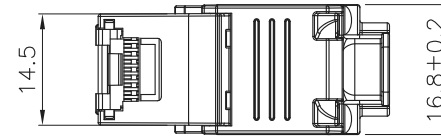
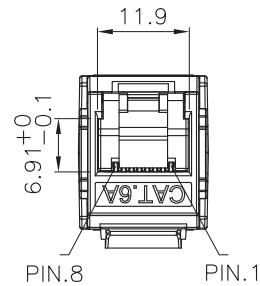
4

5

6



SCALE 1/1



Remark : Housing color: black

Specification :

Material :

1. RJ45 Jack :
 - 1-1. Housing : ABS+PC, UL 94-V0, black color.
 - 1-2. Contact Bracket : PC, UL 94-V2, transparent color.
2. RJ45 Jack Contact :
 - 2-1. Material : Phosphor bronze with nickel plated.
 - 2-2. Finish : 50 micro-inch gold plated on plug contact area.
3. Cap A&B : ABS+PC, UL 94-V0, black color.
4. IDC :
 - 4-1. Housing : PC, grey color(RAL7035), UL 94-V2.
 - 4-2. Terminal : Phosphor bronze with tin plated.
5. Cap : PC, white color, UL 94-V2.
6. Shutter : ABS+PC, UL 94-V0, white color.
7. PCB : FR4, UL 94-V0.

Performance :

- a. T568A & T568B wiring.
- b. Insertion Force : 20N max. (IEC 60603-7-4).
- c. Retention Strength : 7.7 kg between jack and plug.
- d. Operating Temperature : -10°C to 60°C. (ISO/IEC 11801, ANSI/TIA 568 C.2).
- e. Life(mating cycles) :
 - e-1. Jack : 750 cycles min. (ISO/IEC 11801, IEC 60603-7-4).
 - e-2. IDC : Suitable for 23-26 AWG stranded and solid wire.
- f. The Cat.6A transmission performance is in compliance with the ANSI/TIA 568 C.2 standard.

GENERAL
TOLERANCE
OF DIMENSIONS
X.XXX ±0.005
X.XX ±0.05
X.X ±0.1

DRAWING	25. APR. 2019	YLI	SECOMP
CHECK	25. APR. 2019	JANE	
APPROVAL	25. APR. 2019	FRANK	
	DATE	NAME	
SCALE	1/1 (A4)	UNIT	mm
		ITEM NO.:	21.17.0320
		DES.: ROLINE Cat.6A Unshielded Keystone Jack, tool-free	
DRAWING CLASSIFICATION		S	SHEET 1 OF 1
			A1

1

2

0

3

4

10cm

5

6