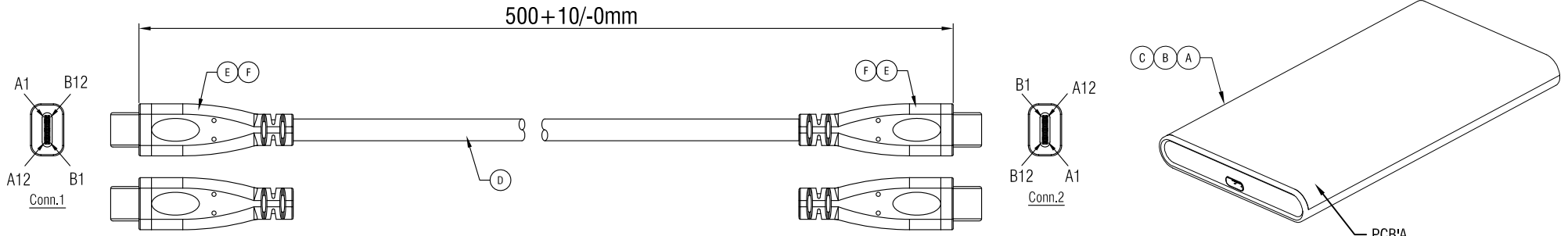
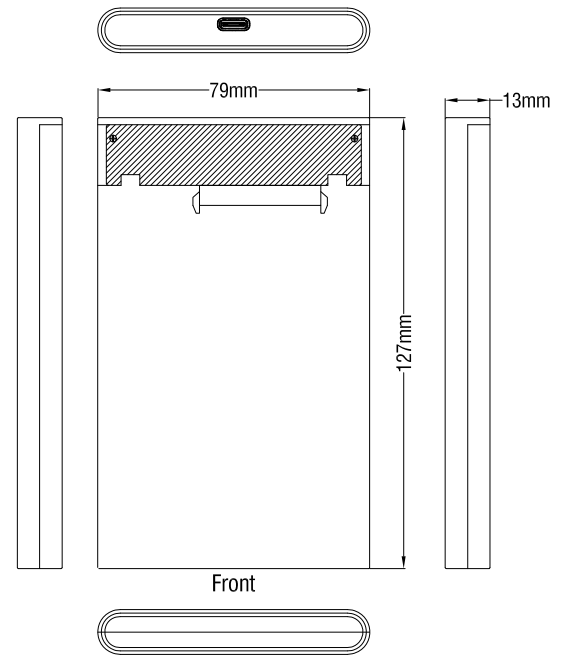
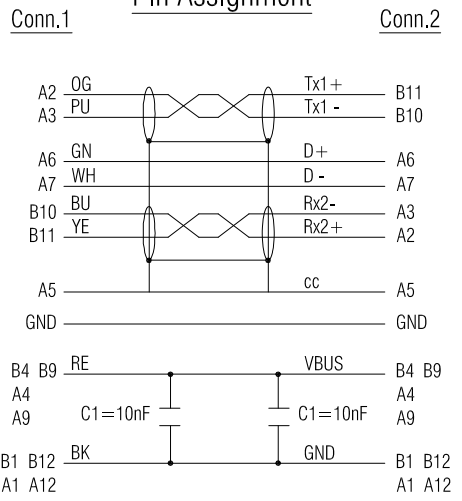


RoHS Compliant



USB3.2 Gen 1 to 2.5-Inch SATA External Hard Drive Enclosure(Transparent)

Pin Assignment



Functional test
1.100% computer test function

Electrical Test:
1.100% TEST OPEN SHORT MIS-WIRE.
2.CONTACT RESISTANCE:3Ω MAX.
3.INSULATION RESISTANCE:5MΩ MIN.
4.HI-POT:300V DC/10MS.
5.SUPPORT USB 3.2 Gen 1 5Gbps.

F	45P BLACK PVC	1	PCS	VALUE USB 3.2 Gen 1 Type C to SATA Type 2.5 HDD/SDD Enclosure
E	USB TYPE C MALE 10Pin Solder joint(Black Insulation,Nickel plated)	2	PCS	
D	UL2725 (30#*1P+DAM)*2C+30#*1P+30#*1C+24#*1C+AB,OD=4.5mm,BLACK PVC JACKET.	1	PCS	Item 16.99.4214
C	Transparent ABS SHELL		G	Draw <i>Kobe</i> Date: 2021.06.03
B	IC(JMS576)	1	PCS	Approval
A	PCB'A	1	PCS	
NUMBER	PRODUCT SPECIFICATIONS	Quantity	Unit	Duty F16 BOM.ON:14180
1	2	4		Sample NO. Drawings of 1-3 Proportion: 1:1 Unit(mm) A4

