

# USER MANUAL

## HDMI Extender over TP

Model No. **14.99.3460**

## 1. INTRODUCTION

This HDMI Extender is equipped with HDMI (high-definition multimedia interface) connectors and can support DVI (digital visual interface) equipment when used with an HDMI to DVI Adapter, providing greater flexibility and options when integrating several home theater components.

## 2. FEATURES

- CAT-5e cables can substitute HDMI cable to achieve long distance transmission.
- Follows the standard of IEEE-568B.
- Transmission distance can be up to 25 meters for 1080p.
- Compact size
- Signaling rates up to 1.65Gbps in support of 1080P display.
- HDCP compliant.

## 3. SPECIFICATIONS

<b>Signal Input/Output</b>	
Input Video Signal	0.5 -1.0 volts p-p
Input DDC Signal	5 volts p-p (TTL)
Maximum Single Link Range	1920X1200, 1080P
Output Video	HDMI 1.2a
<b>Video format supported</b>	
DTV/HDTV	1080P/1080i/720P/576P/480P/576i/480i
<b>Resolution (HDTV)</b>	
Interlaced (50&60Hz)	480i,576i,1080i
Progressive (50&60Hz)	480p,576p,720p,1080p
<b>Mechanical</b>	
Size (W x H x D)	45x2x81 mm
Weight (net)	0.246 kg
Power Consumption	5W (max.)
<b>Power Requirement</b>	
<b>Output</b>	5V DC 2A
<b>AC Power Adapter</b>	European standard,

**Note:** 1: In order to achieve high transmission quality, please choose a shielded CAT-5 cable.

2: Cables with lower quality will not achieve the perfect transmission effect and a long distance.

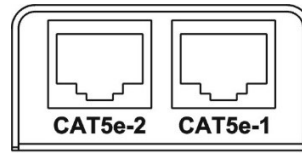
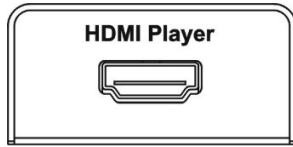
If the product cannot transmit long distances, there might be quality problems in the transmission cables.

## 4. PACKAGE CONTENT

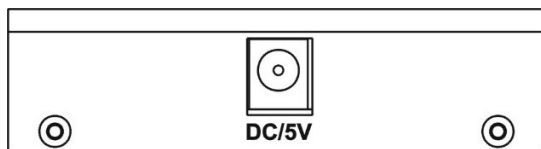
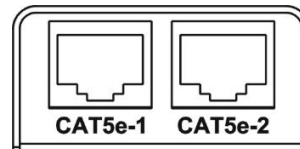
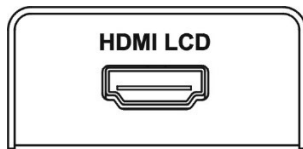
- 1) Sender
- 2) Receiver
- 3) Power Adapter
- 4) User Manual

## 5. PANEL DESCRIPTIONS

### Sender



### Receiver



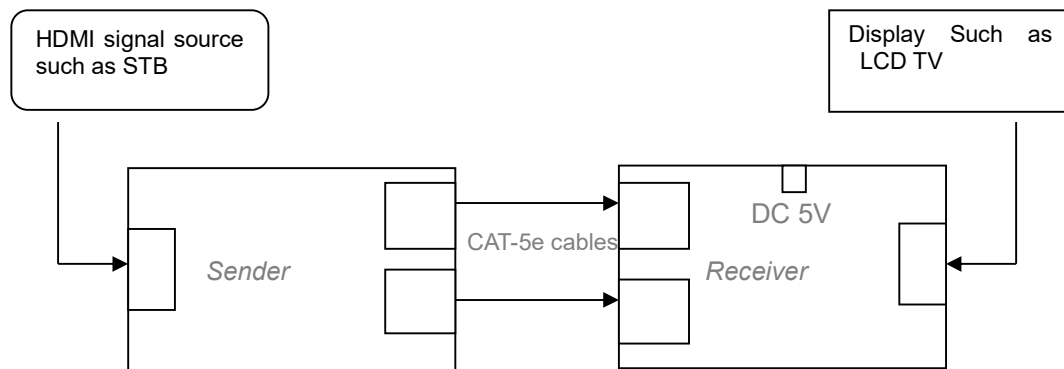
- 1) HDMI input.
- 2) CAT-5e output 2.
- 3) CAT-5e output 1.
- 4) HDMI output
- 5) CAT-5e input 1
- 6) CAT-5e input 2
- 7) Power Input

## 6. CONNECTION AND OPERATION

- 1) Connect the HDMI input sources.
- 2) Connect two CAT-5e cables to both the output of the sender and input of the receiver.
- 3) Connect the HDMI output into the receiver.
- 4) Plug the power into the receiver.

**Attention: Insert / Extract cable gently.**

## 7. CONNECTION DIAGRAM



## 8. TROUBLESHOOTING

If the product does not work properly, please check following four points:

First, check if the connection between the HDMI cable and the extender is correct. They all should be connected with cables of 1.8 meters or less. (In other words, make sure that the problem is not caused by a too long cable).

Second, measure the cable length you are attempting to use between the sender and the receiver.

If the signal is present under those conditions, make sure that the power is available to the product.

Lastly, inspect the cables and connectors for damage.