

# DVI-I Single Display KVM over IP Transmitter with Internet Access / DVI-I Dual Display KVM over IP Transmitter with Internet Access KE6900AiT / KE6940AiT

The KE6900AiT / KE6940AiT are high performance IP-based transmitters that, when used with receivers (e.g. KE6900AR / KE6940AR), provide console access from a separate location. The setup allows extended access of computer systems remotely via USB consoles (USB keyboard, USB mouse, DVI monitor) over intranet and internet, enabling users to place the computer system in secure and temperature controlled environments, which maybe isolated from users' workstation.

KE6900AiT / KE6940AiT support the new Control Center Video Session Recorder (CCVSR) software. The CCVSR records all operations made on servers accessed through KVM over IP switches. Every operation and change – boot-ups at BIOS level to system level, logging in and logging out, running software applications to configuring the operating system – are recorded and saved to a secure video file for security reference and troubleshooting purposes, etc..

The KE6900AiT DVI-I Single Display KVM over IP Extender supports one DVI display while the KE6940AiT DVI-I Dual Display KVM over IP Extender supports two — both models provide lossless and low latency video transmissions up to 1920 x 1200 @ 60Hz.

The transmitters support connections via an RJ-45 port or a SFP slot. The transmitter can be connected to a receiver either directly to each other, or via a high-speed network over a copper-based or fiber-based LAN. Connecting via the SFP slot with 1Gbps SFP fiber module\* expansions on fiber optic network, you can extend transmission distances up to 10km. The KE6900AiT / KE6940AiT also features dual power supplies for redundancy to ensure dependable services.

As an IP-based matrix extender, the KE6900AiT / KE6940AiT can be used as a point-to-point / point-to-multipoint / multipoint-to-point extender, or integrated into a KVM over IP Matrix System (multipoint-to-multipoint) when combined with the KVM over IP Matrix Manager (CCKM), providing more flexible applications in different working environments.

Implementing the CCKM with KE6900AiT / KE6940AiT, IT administrators can benefit from advanced features such as auto detection of all KE6900AiT / KE6940AiT devices on the same subnet for the sake of fast installation or configuration, username/password authentication and authorization, and the ability to define different types of connections that can be switched and shared. Security features also provide extra protection, supporting AES-128bits encryption for secured data transmissions, while RADIUS, LDAP, AD or remote user authentication provides an added layer of connection security. Moreover, with RS-232 support, and Auto MDIX, the KE6900AiT / KE6940AiT is the most cost-effective and convenient way to get a full digital extension from anywhere on the intranet.

\*The SFP module (2A-136G / 2A-137G) is sold separately. Contact your ATEN dealer for product information.

KE6900AiT Front View



KE6940AiT Front View



KE6900AiT Rear View



KE6940AiT Rear View



## Features

### Advanced Features\*

- ATEN Matrix Link – allows you instant link transmitters and receivers, and perform real-time port and profile switching on an iPad
- Supports recording of remotely-accessed computer operations using CCVSR
- Boundless Switching – simply move the mouse cursor across screen boundaries to switch between different receivers (Rx)
- “Push” and “Pull” – shares content instantly to/from a single Rx or video wall by just one click
- Video Walls – create multiple video walls with up to 12 x 12 (144 displays max.) in each layout
- Advanced Scheduling – improves efficiency and saves costs by allowing connections to be set based on time and date
- Virtual Transmitter – independently streams video, audio, USB, and serial sources from different Tx
- Internal and external authentication support – supports LDAP, Active Directory, RADIUS and TACACS+ external authentications
- Configurable user and group permissions for access and control of KVM over IP extenders
- Rx access control – users at the Tx local console can enable / disable Rx access by simply pressing a control button\*\*

\*These advanced functions are supported when the KE transmitters are paired with KE receivers and managed by CCKM.

\*\*The KVM over IP Access Control Box (2XRT-0015G) is sold separately. Contact your ATEN dealer for product information.

### Hardware

- Supports power/network failover – dual DC jacks for power redundancy and 1 RJ45 & 1 SFP fiber ports for network failover to ensure constant availability for mission-critical applications
- Supports 1Gbps SFP fiber module expansions\*\*\* up to 10 km
- Advance processor provides lossless and low latency video transmissions up to 1920 x 1200 @ 60Hz
- Supports digital (DVI) or analog (VGA) video output\*\*\*\*
- Audio Enabled – supports stereo speakers and microphone
- High speed USB Storage Transmission Support
- Auto-MDIX – automatically detects cable type
- Built-in 8KV/15KV ESD protection and 2KV surge protection
- Fanless design for silent operations that are energy efficient
- Mounting options:
  - 2X-021G Dual Rack Mount Kit
  - 2X-031G Single Rack Mount Kit
- Includes an industrial-grade power adapter – supports operating temperature of 0-50°C to ensure durability and adaptability under harsh environmental conditions

\*\*\*The SFP module (2A-136G / 2A-137G) is sold separately. Contact your ATEN dealer for product information.

\*\*\*\*To convert a DVI to VGA signal, a DVI-I to VGA converter is required.

### Management

- Integration with ATEN CCVSR Video Session Recording Software
- Local console – flexible local or over IP console access
- EDID Expert™ – selects optimum EDID settings for smooth power-up and highest quality display
- Four selectable access modes for multiple simultaneous access (Exclusive / Occupy / Share / View only mode) – administrators can select access modes of permissions on Tx devices to boost collaboration or to avoid interference among users
- On-screen Preview – allows users to view the video of up to 36 displays on one screen
- Fast Switching – switches between different remote video resolutions on a local display within 0.3 seconds
- Command Line Interface – administrators can control all KVM over IP extenders via RS-232 or TCP/IP using a CLI or 3rd party application
- Supports Hotkey Commands
- Flashing LED and beeping feature help locate and identify devices
- KVM over IP extenders can “Push” and “Pull” to share content Security

### Security

- Dedicated LAN port for KE direct connections – can be isolated from the corporate network
- Secure data transmission – AES 128-bit encryption to secure all data before transmitted over a network and decrypts the data on the receiver
- Supports industry standard Transport Layer Security (TLS) protocol

### Virtual Media

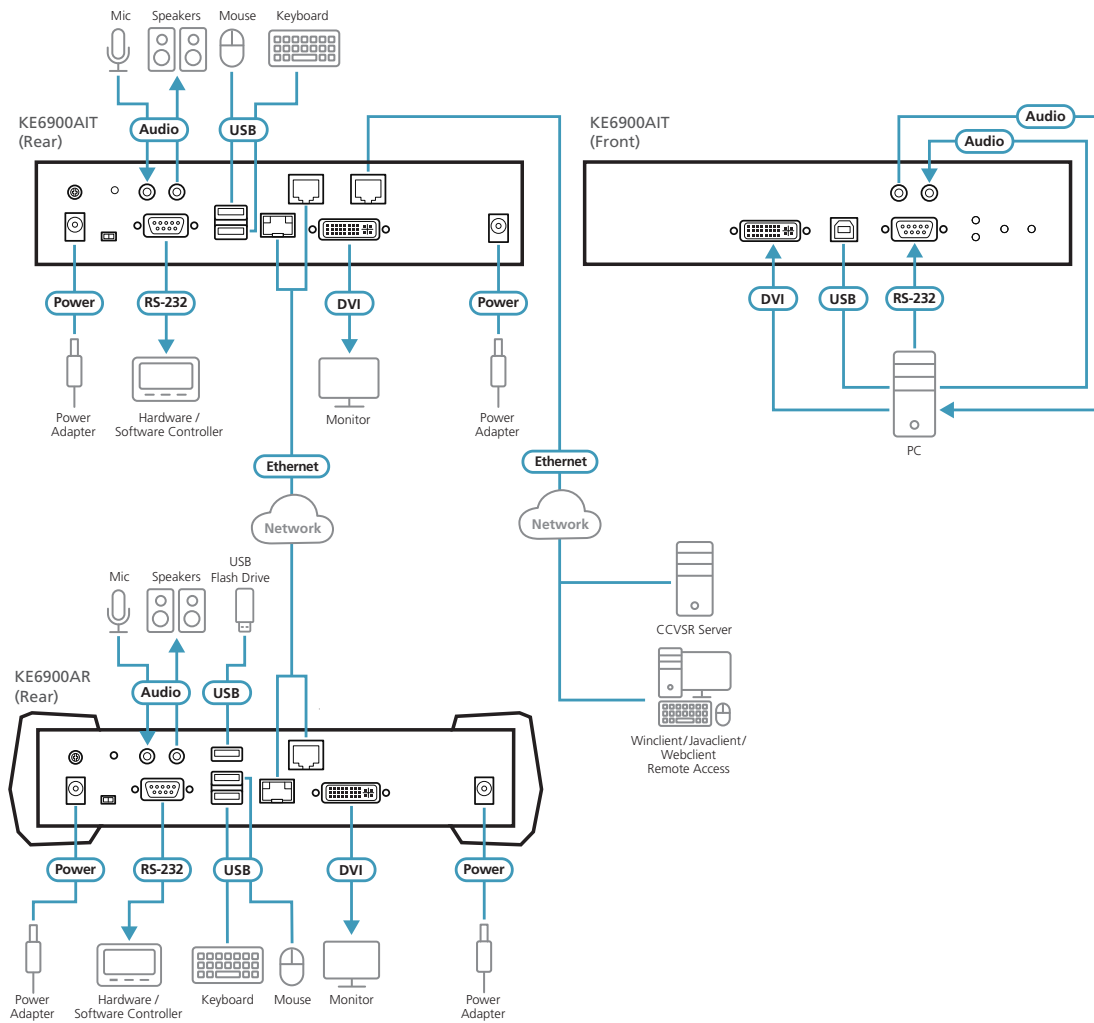
- Virtual media enables file transfers, OS patching, software installations and diagnostic testing
- Supports USB 2.0 DVD / CD drives, USB mass storage devices, PC hard drives and ISO images
- Supports Smart Card / CAC Reader

## Highlights

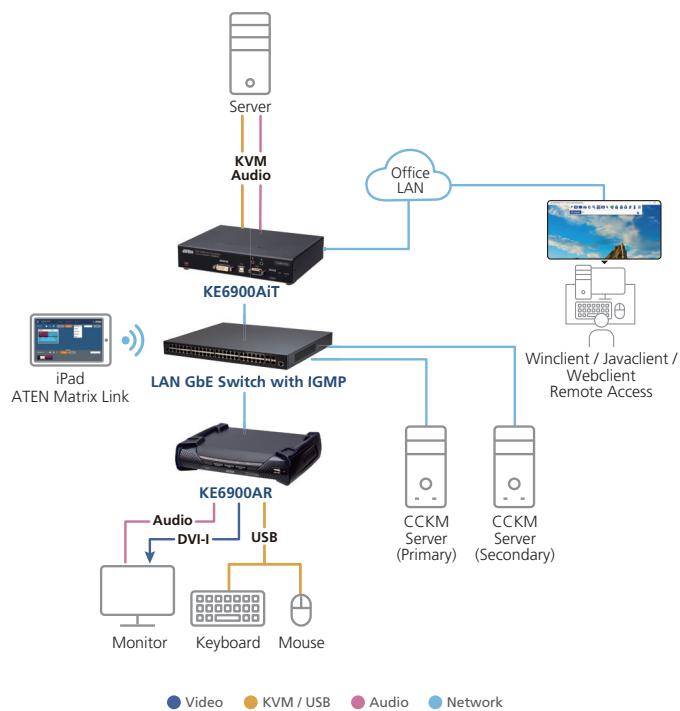
<p><b>Over IP</b></p>	<p>Extend a computer's KVM console any distance over a LAN by connecting the Tx and Rx units to your network. Extend a computer's KVM console up to 100 meters by directly connecting the Tx and Rx units with a single Cat 5e / 6 cable. Standard IP protocols ensure maximum compatibility with your existing IT infrastructure and staff skill set.</p>
<p><b>Redundancy</b></p>	<p>The KE6900AiT / KE6940AiT supports connection via Gigabit Ethernet port (RJ-45), Internet port and SFP port for failover or for dual IP addresses access. Moreover, the KE6900AiT / KE6940AiT supports dual power for redundant power supply.</p>
<p><b>SFP Module</b></p>	<p>The KE6900AiT / KE6940AiT supports 1Gbps SFP fiber module expansions, enabling connections with network switch allowing either an optical Fiber Channel SFP module or Active Copper SFP module*. The single-mode SFP module provides 1GbE connectivity up to 10 kilometers while the multi-mode SFP module provides 1GbE connectivity up to 550 meters.</p> <p><b>Note:</b> *The SFP module (2A-136G / 2A-137G) is sold separately. Contact your ATEN dealer for product information.</p>
<p><b>Unprecedented Video Quality</b></p>	<p>ATEN's advanced graphics processor delivers video that ensures you to experience the same vivid and sharp image quality on the remote monitor no matter how far away the console is located.</p>
<p><b>Advanced Management System</b></p>	<p>The CCKM allows you to easily administer all KVM over IP extenders over a network, using an intuitive user-friendly web based GUI.</p>
<p><b>Boundless Switching*</b></p>	<p>Simply move the mouse cursor across screen boundaries to switch between different receivers. The function expedites the process of switching between receivers for a smooth and hassle-free user experience and enables immediate monitoring and management of receivers.</p>
<p><b>Flexibility</b></p>	<p>The KVM over IP extender allows you to access, share, and switch full control of Tx connected computers - from any Rx (KVM console) on the network. Flexibly allows One-to-One, One-to-Many, Many-to-One, or Many-to-Many computer to KVM console connections.</p>
<p><b>Enhanced Security Features</b></p>	<p>Compliant with universal enterprise grade security standards (AES encryption to secure Video / Keyboard / Mouse / Data transmission and Transport Layer Security (TLS) protocol), the KVM over IP extender provides different levels of username / password authentication and authorization.</p>

\*These advanced functions are supported when the KE transmitters are paired with KE receivers and managed by CCKM.

## Diagram



## Scenario Diagram



## Specifications

	KE6900AiT	KE6940AiT
<b>Connectors</b>		
USB Port	N/A	
Console Ports	2 x USB Type-A Female (White) 1 x DVI-I Female (White) 1 x Mini Stereo Jack (Green) 1 x Mini Stereo Jack (Pink) 1 x DB-9 Male (Black)	2 x USB Type-A Female (White) 2 x DVI-I Female (White) 1 x Mini Stereo Jack (Green) 1 x Mini Stereo Jack (Pink) 1 x DB-9 Male (Black)
KVM Ports	1 x USB Type-B Female (White) 1 x DVI-I Female (White) 1 x Mini Stereo Jack (Green) 1 x Mini Stereo Jack (Pink) 1 x DB-9 Female (Black)	1 x USB Type-B Female (White) 2 x DVI-I Female (White) 1 x Mini Stereo Jack (Green) 1 x Mini Stereo Jack (Pink) 1 x DB-9 Female (Black)
Power	2 x DC Jack (Black)	
LAN Ports	1 x RJ-45 (Black) 1 x SFP Slot	
Internet Ports	1 x RJ-45 (Black)	
<b>Switches</b>		
OSD	N/A	
Video	N/A	
Graphics	N/A	
Reset	1 x Semi-recessed Pushbutton	
Mode Selection	1 x Slide Switch (Auto, RS-232 Config / Access Control, Local)	
<b>LEDs</b>		
Link	1 (10: Orange / 100: Orange & Green / 1000: Green)	
Power	1 (Blue)	
Local	1 (Green)	
Remote	1 (Green)	
<b>Emulation</b>		
Keyboard / Mouse	USB	
Power Consumption	DC 12 V:12 W:60 BTU	DC 12 V:18.36 W:90 BTU
Video Resolution	Up to 1920 x 1200 @ 60Hz	
<b>Environmental</b>		
Operating Temperature	0 – 50 °C	
Storage Temperature	-20 – 60 °C	
Humidity	0 – 95% RH, Non-condensing	
<b>Physical Properties</b>		
Housing	Metal	
Weight	1.16 kg	1.18 kg
Dimensions (L x W x H)	21.50 x 16.33 x 4.18 cm	

### ATEN International Co., Ltd.

3F., No.125, Sec. 2, Datung Rd., Sijhih District., New Taipei City 221, Taiwan  
 Phone: 886-2-8692-6789 Fax: 886-2-8692-6767  
 www.aten.com E-mail: marketing@aten.com

Product information is subject to change without prior notice.

Released: 01/2023 V3.0

© Copyright 2023 ATEN® International Co. Ltd.  
 ATEN and the ATEN logo are registered trademarks of ATEN International Co., Ltd.  
 All rights reserved. All other trademarks are the property of their respective owners.

