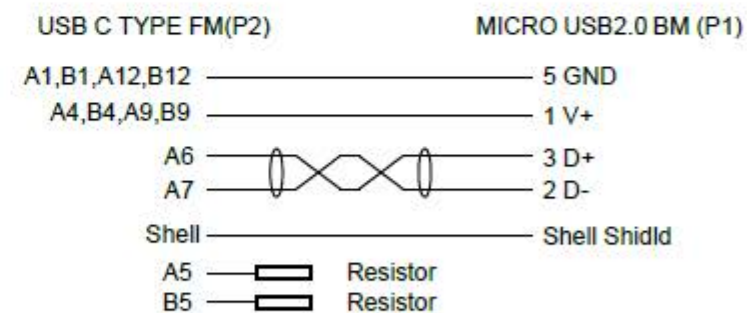


**NOTE:**

1. Electrical properties:
  1. ALL COMPONENTS ARE RoHS COMPLIANT.
  2. 100% OPEN AND SHORT TEST.
  3. CONDUCTOR RESISTANCE: 3 OHMS
  4. INSULATION RESISTANCE: 10 MEGOHMS.
  5. HI-POT: DC200V/0.01S
2. ROHS 2.0 and REACH

**MATERIAL LIST**

**PIN ASSIGNMENT:**



Name	VALUE USB 2.0 Micro B Adapter, Micro B-C, M/F, black		
DRAW No.		NAME	12.99.3192
<b>SECOMP</b>	MAPE	TOLERANCE	
		X. ±1.00 X.X ±0.50	
	DRAW BY	SCALE	MM
	PAGE	1/1	

No.	PART NAME	DESCRIPTION	QTY
③	OUTER MOLD	PVC CLOLR:BLACK	1
②	CONNECTOR	MICRO USB2.0 B MALE,NICKEL PLATED SHELL	1
①	CONNECTOR	USB3.1 TYPE C FEMALE ,NICKEL PLATED SHELL	1