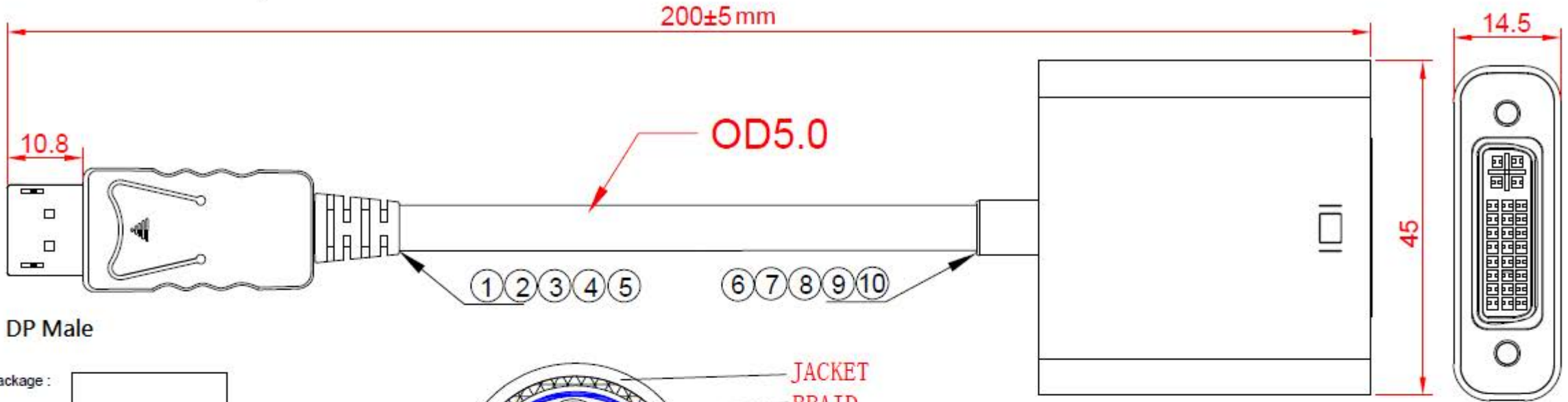
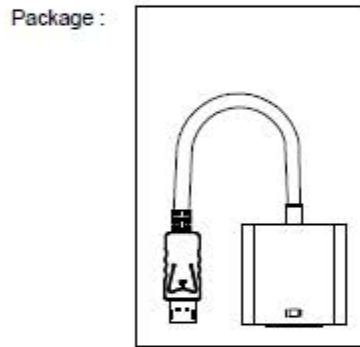


RoHS Compliant

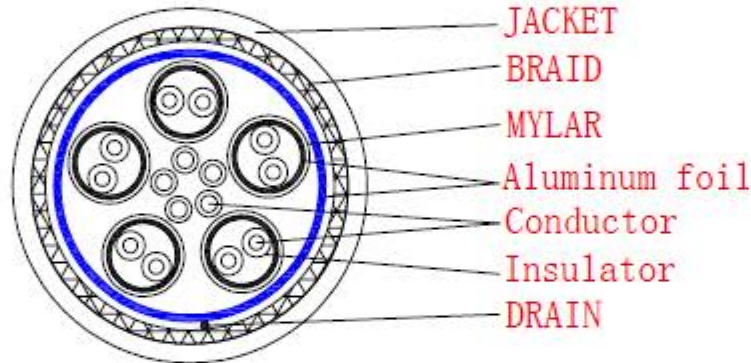
REV	DESCRIPTION OF CHANGE	DATE
A0	INITIAL RELEASE	2018-07-18



DP Male

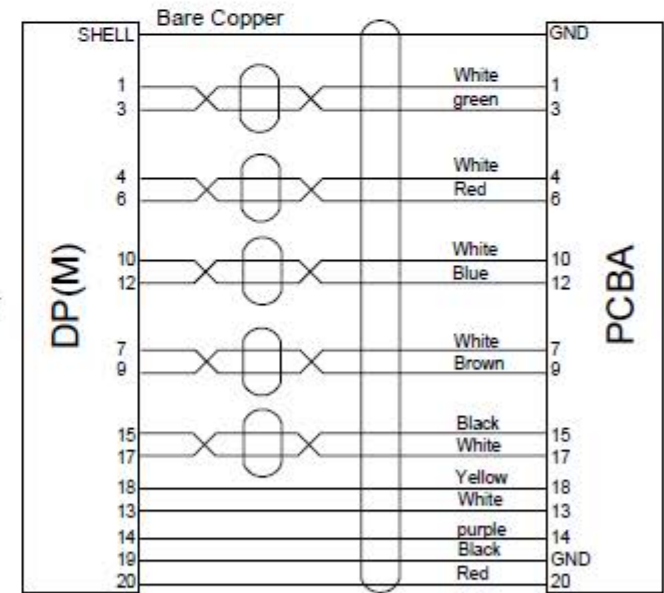


Wire structure



DVI 24+5 Female

PIN OUT



10	Plug	DVI Female24+5, Nickel Plated	1	Pcs
9	PCB	24*22*1.6mm FR4	1	Pcs
8	SR	PVC 45P	1	Pcs
7	Housing	ABS 45.0*45.0*14.5mm	1	Pcs
6	Cap	LDPE	1	Pcs
5	Housing	ABS 36.6*20.2*6.1mm	1	Pcs
4	Housing	ABS 36.6*20.2*6.1mm	1	Pcs
3	Inner molding	PE	1.4	g
2	Plug	DP Male ,Gold Plated	1	Pcs
1	cable spec	(1P*32#+AL+ML)*5+5C*32#+AL+D+128B (AL-MG) OD5.0mm Black Tinned Copper	18	CM
Serial number	Material Science	describe	QTY	UMIT

DWG NO		单位 (UNIT) MM
REV	A0	Arbitrarily proportions
PAGE	1/1	
DESIGN	AM	DIMENSIONS ARE IN MILLIMETERS TOLERANCES:
CHECKED		LINEAR X ± 0.5
		R.X ± 0.5
		X.XX ± 0.15
		X.XXX ± 0.05
Product model		ANGULAR ± 0.5°

**SECOMP**

Description	VALUE Cable Adapter DP-DVI, M/F, black
Item No.	12.99.3137