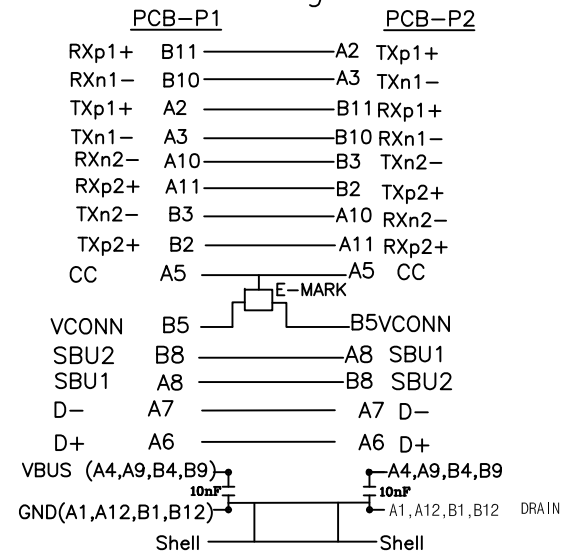


**Test:**

- 1、100% Test (Open, Short and Miss Wire);
- 2、Conductor Resistance: 3Ω (Max);
- 3、40Gbps;5A;

**Pin Assignment**



|    |   |      |      |
|----|---|------|------|
| 9  | Type-c She11~21*12.3*6.4mm~Black~PC 65%+ABS 35% 2950  | 2    | PCS  |
| 8  | TPE~45P (87A+/-3A) ~Black   | 8    | g    |
| 7  | USB TYPE-C~COAX~She11 2~23.86*10.15   | 2    | PCS  |
| 6  | USB TYPE-C~COAX~She11 1~23.95*9.7~ (OD5.0~5.4)~50~80u"  | 2    | PCS  |
| 5  | USB4 TYPE C PCBA WITH E-MARK~PCB  | 2    | PCS  |
| 4  | USB4 TYPE C PCBA~PCB  | 2    | PCS  |
| 3  | USB TYPE-C COAX CLIP 2~PA66+15%GF~BLACK~30+34+23+34AWG  | 2    | PCS  |
| 2  | USB TYPE-C COAX CLIP 1~PA66+15%GF~BLACK~30+34+23+34AWG  | 2    | PCS  |
| 1  | [30AWG(7/0.10SC)+S(48/0.05TC)+CU+M]*8COAX+[34AWG(7/0.06TC)+S(28/0.05TC)+CU+M]*2COX+23AWG(41/0.10TC)*1C+34AWG(19/0.04TC)*1C+[34AWG(19/0.04TC)+150Dnylon+A]*3C+A2E2S~OD:5.0MM~TPE~BLACK | 0.5  | M    |
| NO | ITEM DESCRIPTION  | Q'TY | UNIT |

| INCHES   |      |                | M/M                                |            |  |         |
|----------|------|----------------|------------------------------------|------------|--|---------|
| .X       | .015 | .30            |                                    |            |  |         |
| .XX      | .010 | .10            | TITLE: VALUE USB4 (40Gbit/s) cable |            |  |         |
| .XXX     | .005 | .05            | Type C-C, M/M, 0.5m, black         |            |  |         |
| DRAWN BY |      | CUSTOMER P/N : |                                    | 11.99.9080 |  | REV. A1 |
| CHECK BY |      | SCALE          | NONE                               |            |  |         |
| APPD BY  |      | UNIT           | MM                                 |            |  |         |
|          |      | DATE           | 2021.03.25                         |            |  |         |