



Datenblatt - Fiche technique - Data sheet

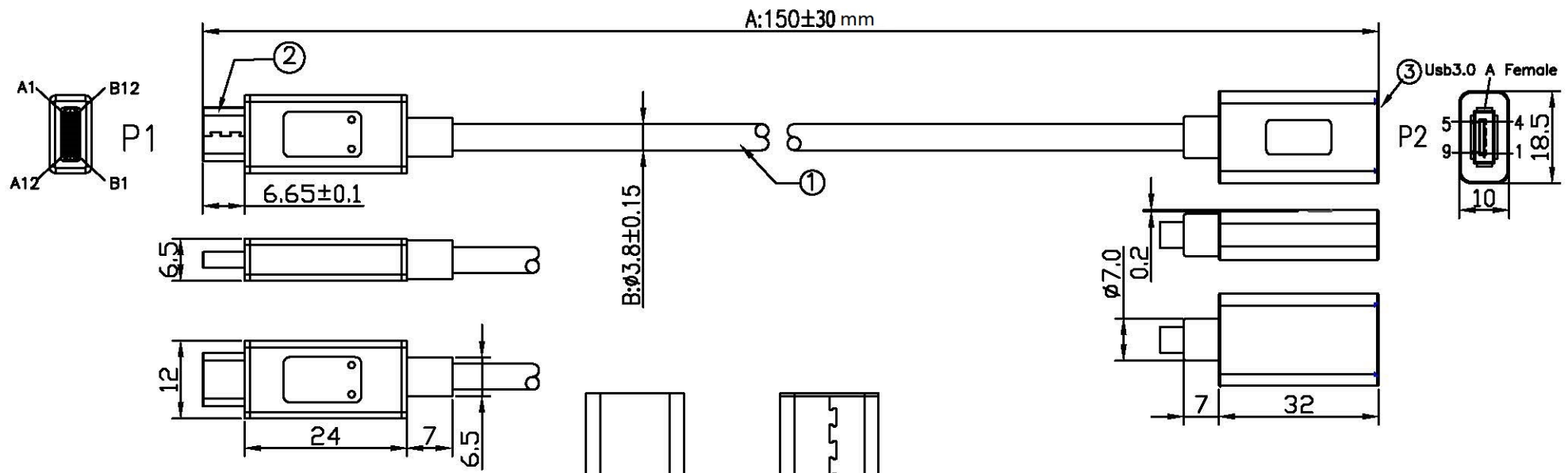
**11.99.9030**



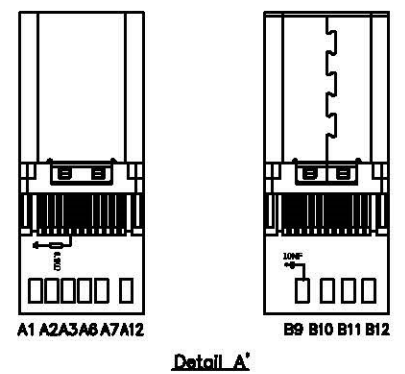
VALUE USB 3.1 Kabel, USB 3.1 Typ C - A, ST/BU, OTG, schwarz, 0,15 m

VALUE Câble USB 3.1, USB 3.1 Type C - A, M/F, OTG, noir, 0,15 m

VALUE Cableadapter, USB3.1, C-A, M/F, OTG, black, 0.15 m



NOTE:  
 1) PRIMARY DIM: A.B  
 2) ELECTRICAL TEST:  
 2.1) SHORT AND OPEN 100% TESTING  
 2.2) CONDUCTOR RESISTANCE 3Ω



Pin Assignment

P1		P2	
A12	BRAID	4	
B9	RED	1	
A6		3	GREEN
A7		2	WHITE
A2		9	YELLOW
A3		8	BLUE
A1		7	DRAIN
B11		6	PURPLE
B10		5	ORANGE
B12		7	DRAIN

4	OUTER JACKET: PVC 45Pa, BLACK
3	USB 3.0 A/F, BLUE, SOLDERING TYPE, GOLD PLATED CONTACT PIN (1u"), NICKEL PLATED SHELL
2	USB 3.1 C/M, BLACK PIN G/F, NICKEL PLATED SHELL, W/PCB (CC(A5)-5.1Kohm-GND, VBUS-10NF-GND)
1	UL2725 (34#*1P+AD)*2+32#*1P+26#1C+A+B(128BTA) PVC JACKET, BLACK, OD: 3.8MM, 150MM

**SECOMP**

UNLESS OTHERWISE SPECIFIED: DIMENSIONS ARE IN MILLIMETERS ANGULAR TOLERANCE: ±1.0°		Item No.	11.99.9030
DIMENSIONS	TOLERANCE	VALUE USB 3.1 Cable Adapter C-A, M/F, 0.15m, black	
0.00 TO 30.00mm	±0.10mm	CHKD.	APPD.
30.01 TO 80.00mm	±0.13mm	FPZ 2015/6/16	
80.01 TO 150.00mm	±0.15mm	SCALE	SHEET 1/1 UNIT MM SIZE A4 REV. B
150.01mm	±0.20mm		
MATERIAL			
FINISH			