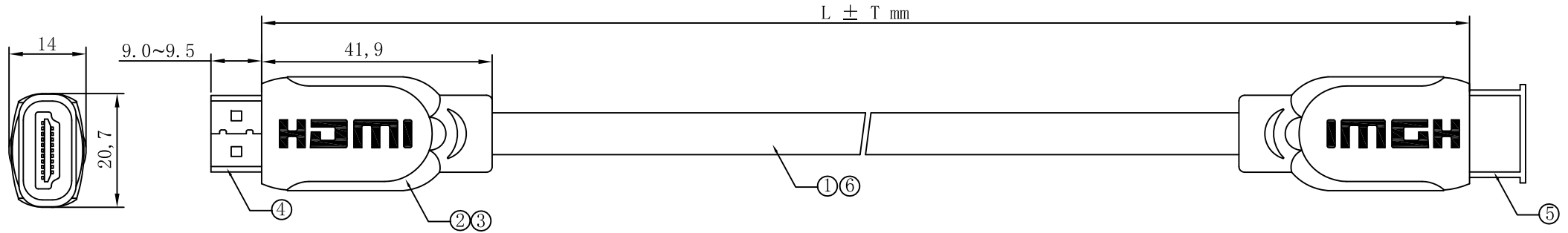
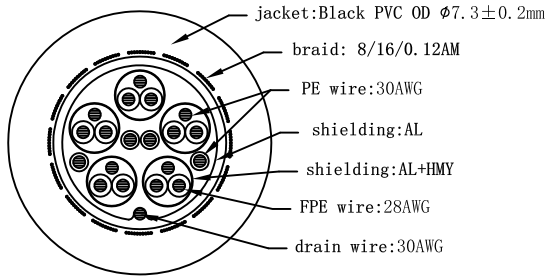


REV.	DESCRIPTION	DATE
A		2022-01-21
B		

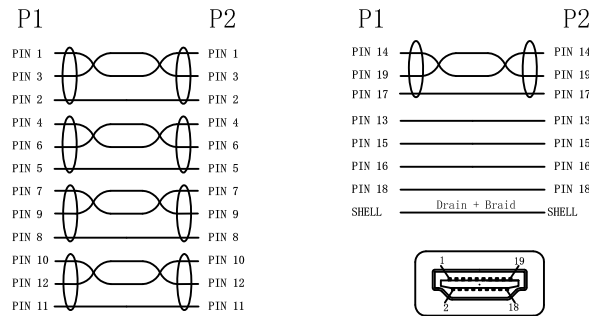


Test standard:
 1、100% pass open circuit, short circuit, dislocation test.
 2、On-resistance: 5Ω Max
 3、Insulation resistance: 5MΩ Min/DC200V/10ms
 4、100% pass 8k TV test

Cable Specifications:



Pin Assignment



PART NO.	CABLE LENGTH
11.04.6012	3000 ± 30mm

BOM LIST

NO.	SPECIFICATIONS
1	UL 20276 28-30AWG OD:7.3 (28#Cu*1P+30#TC+HMY)*5+30#Cu*4C+D30#TC+128AM-D+PVC
2	Gun black Zinc Alloy shell
3	Inner Molding:Transparent PE and Tinplate
4	HDMI 19 Pin Gold-plated copper shell
5	Dust cap
6	Printing:Ultra High Speed HDMI™ Cable

ITEM NUMBER	11.04.6012			DRAWER	Ming
TITLE	ROLINE ATC Cer. Ultra High Speed HDMI Cable, AM/AM			CHECKED	
MATERIAL		SCALE		APPROVED	
REV.	A	UNIT	MM		
DRAWING NO:					