



Datenblatt - Fiche technique - Data sheet

11.04.5872

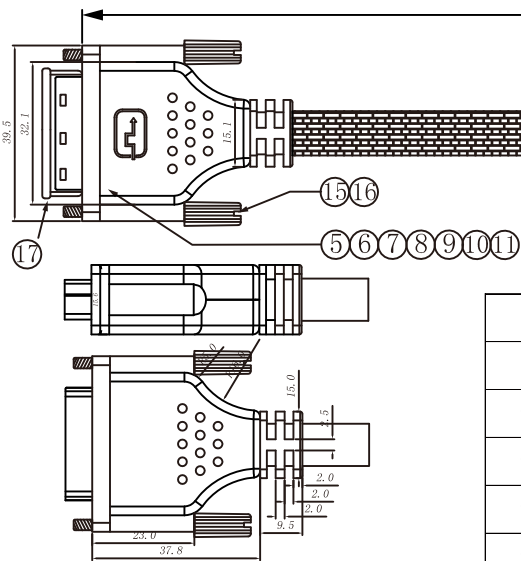
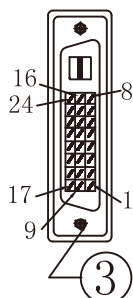


ROLINE Monitorkabel DVI - HDMI, ST-ST, dual link, schwarz / silber, 3,0 m

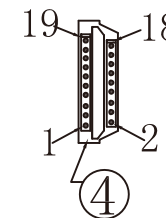
ROLINE Câble pour écran DVI (24+1) - HDMI, Dual Link, M-M, noir/argent, 3,0
m

ROLINE Monitor Cable, DVI (24+1) - HDMI, Dual Link, M/M, black /silver, 3.0 m

**P1
DVI 24+1 Male**



HDMI 19P Male

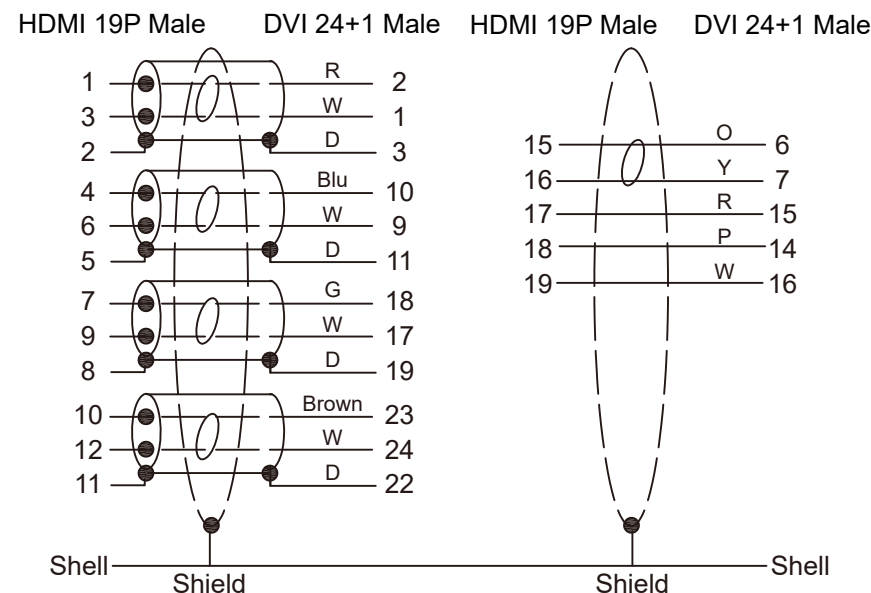


Part No.	Cable L	Braid L
11.04.5870	1000±20 mm	1000±20 mm
11.04.5871	2000±30 mm	2000±30 mm
11.04.5872	3000±30 mm	3000±30 mm
11.04.5873	5000±50 mm	5000±50 mm
11.04.5874	7500±50 mm	7500±50 mm
11.04.5875	10000±50 mm	10000±50 mm

Specification :

- 1 Cable UL20276, (1P*28AWG+AL+D+M)*4C+1P*28AWG+5C*28AWG+AL+D+B, PVC: Black, OD: 7.0 mm, Printing: High Speed HDMI™ Cable E119932-T AWM STYLE 20276 80°C 30V VW-1 COPARTNER
- 2 Braid Black Cotton, RoHS
- 3 Connector 1 DVI(24+1)M, Insulator: Black, Iron Shell: Gold Plated 1u", Pin: Gold Plated 1u", RoHS
- 4 Connector 2 HDMI 19P M, Insulator: Black, Iron Shell: Gold Plated 1u", Pin: Gold Plated 1u", RoHS
- 5 Solder 0.8 mm Tin Line, RoHS
- 6 Tube 1 Black Tube, OD: 0.8 mm, RoHS
- 7 Tube 2 Black Tube, OD: 2.5 mm, RoHS
- 8 Inner Molding LP-PE, RoHS
- 9 Tape High Temperature Resistant, 1.8CM, RoHS
- 10 Copper Foil 2.2CM, RoHS
- 11 Outer Molding PVC: 45P, Color: Black, RoHS
- 12 Outer Molding PVC: 60P, Color: Black, RoHS
- 13 Metal Shell For DVI, Color: Dark Gray, RoHS
- 14 Metal Shell For HDMI, Color: Dark Gray, RoHS
- 15 Screw 2.8*44.2, RoHS
- 16 Screw PVC PVC: 25P, Color: Black, RoHS
- 17 Dust Cover 1 For DVI M, RoHS
- 18 Dust Cover 2 For HDMI M, RoHS

Pin Assignment



Rev.	Date	Contents of Change	Designer	Tol±								Approve	Check	Draw	Design	Product Name	Product No.				
				Range	Pla	Met	Ins	Por	Cab	Pac	Gas	Dis	Allen	Allen		ROLINE SILVER DVI-D/HDMI Cable, DVI-D(24+1)/HDMI, M/M	11.04.5870/11.04.5871/11.04.5872/11.04.5873/11.04.5874/11.04.5875				
1				0~6	0.1	0.1	0.1	0.2	0.5	1	0.5	0.2									
2				6~30	0.1	0.1	.15	.25	1	1	0.5	.25									
3				30~80	0.1	.15	0.2	0.3	2	1.5	1	0.3									
4				80~180	.15	.15	.25	0.3	2	2	1	.45									
5				180~315	.15	0.2	0.3	0.4	2.5	2	1	0.6									
6				315~800	0.2	0.3	0.4	0.5	3	3	2	1.1									



Scale 1:1 Unit mm

R00