



Datenblatt - Fiche technique - Data sheet

11.04.5687

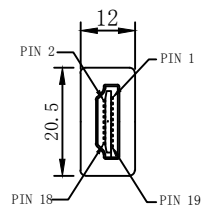
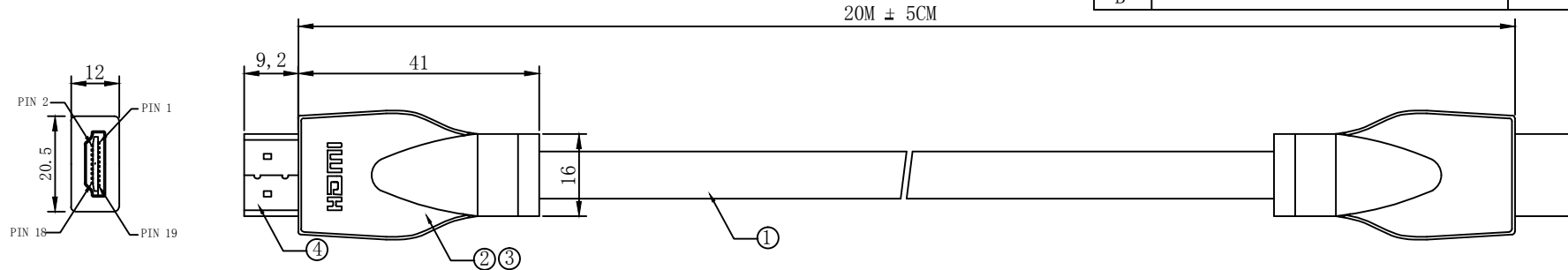


ROLINE HDMI Ultra HD Kabel mit Ethernet, ST/ST, 20,0 m

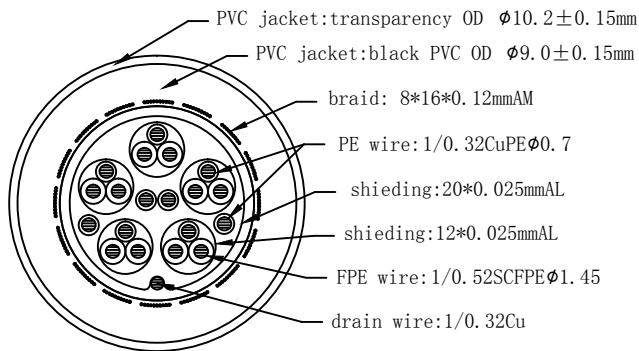
ROLINE Câble HDMI Ultra HD avec Ethernet, M/M, 20,0 m

ROLINE HDMI Ultra HD Cable + Ethernet, M/M, 20.0 m

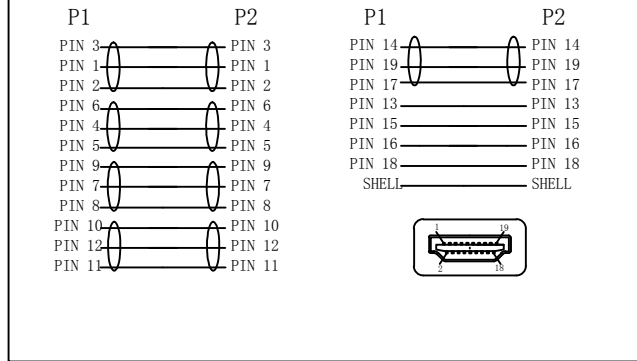
| REV. | DESCRIPTION | DATE |
|------|-------------|-----------|
| A | | 2016-7-27 |
| B | | |



Cable Specifications:



Pin Assignment



test standard:

- 100% pass open circuit, short circuit, dislocation test.
- On-resistance: 3Ω Max
- Insulation resistance: 5MBΩ Min/DC300V/10ms
- 100% pass 4k TV test

BOM LIST

| NO. | SPECIFICATIONS |
|-----|--|
| 1 | HDMI2.0V 24-28AWG OD:10.2 (1/0.52SC*1P+1/0.32Cu+AL)*5+1/0.32Cu*4C+AL+D1/0.32Cu+128AM+PVC |
| 2 | Gun black zinc alloy shell |
| 3 | clear PE inner molding |
| 4 | HDMI 19 Pin connector nickel plated |

| | | | | | |
|-------------|---|-------|------|----------|----|
| ITEM NUMBER | 11.04.5687 | | | DRAWER | YU |
| TITLE | ROLINE HDMI Ultra HD Cable + Ethernet, 20m, black | | | CHECKED | |
| MATERIAL | | SCALE | | APPROVED | |
| REV. | A | UNIT | INCH | | |
| DRAWING NO: | SECOMP | | | | |