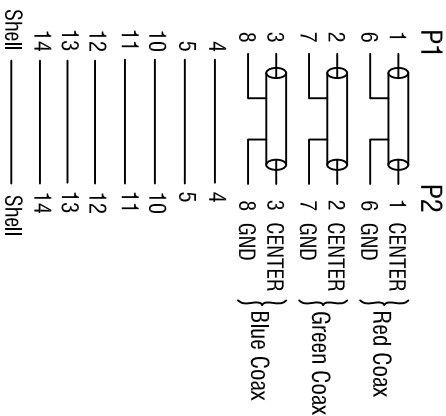


**WIRE ADDRESS**



- Electrical Test:
- 1.100% TEST OPEN SHORT MIS-WIRE.
  - 2.CONTACT RESISTANCE:3Ω MAX.
  - 3.INSULATION RESISTANCE:5MΩ MIN.
  - 4.HI-POT:300V DC/10MS.
  - 5.Real Test Passed 1280\*1024.
  - 6.Real Test Not Twinkling, Double Vision and Decolor.

<p>E</p> <p>45P BLACK PVC</p>	<p>G</p>	<p>ROLINE VGA Cable with Ferrite, HD15 M - HD15 M, 2.0m</p>	
<p>D</p> <p>Ferrite Core (17.5*28.5*9.5mm)</p>	<p>2</p>	<p>Item</p>	<p>11.04.5252</p>
<p>C</p> <p>HD37.7 Screw</p>	<p>4</p>	<p>Draw</p>	<p><i>Make</i> Date: 2020.05.13</p>
<p>B</p> <p>HDB15P MALE (PIN9 OUT, Black Insulator Nickel Plated)</p>	<p>2</p>	<p>Approval</p>	<p>F16 BOM.NO.:13907</p>
<p>A</p> <p>UL2919;28# 3COAX+28#*7C+ADB, OD=8.0mm BLACK DENTATE PVC JACKET.</p>	<p>1</p>	<p>Duty</p>	<p>Sample NO. Drawings of 1 (2) Proportion: 1:1 Unit(mm) A4</p>
<p>F</p> <p>NUMBER</p>		<p>PRODUCT SPECIFICATIONS</p>	

