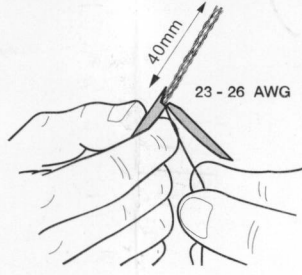
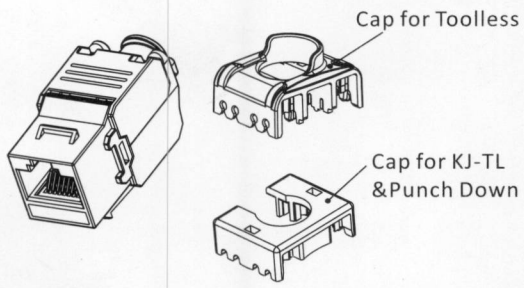


Keystone Jack User Guide

KJ28F



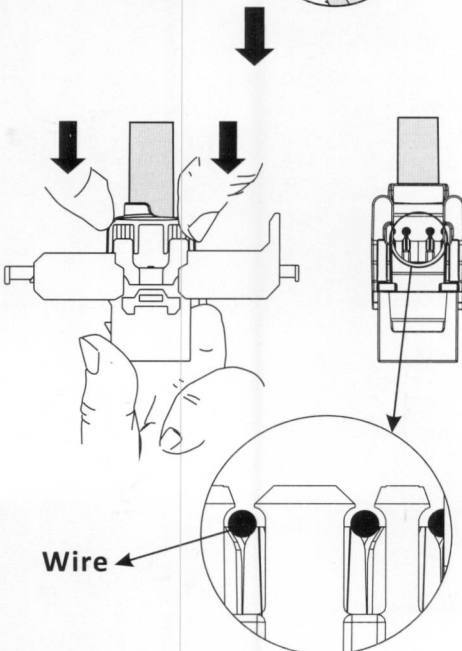
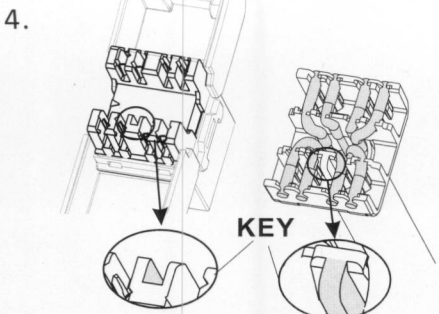
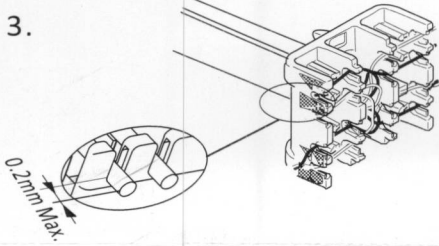
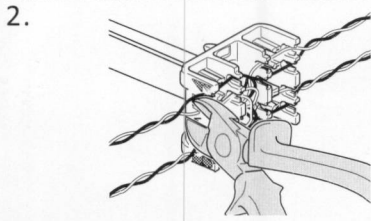
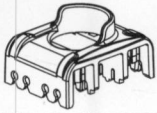
Legend

W White
G Green
O Orange
BL Blue
BR Brown

| | | | | | | | |
|--|---|-----|----|------|---|------|----|
| 1 | 2 | 3 | 4 | 5 | 6 | 7 | 8 |
| W-G | G | W-O | BL | W-BL | O | W-BR | BR |
| Designation T568A 8-Position jack pin/pair assignments | | | | | | | |
| 1 | 2 | 3 | 4 | 5 | 6 | 7 | 8 |
| W-O | O | W-G | BL | W-BL | G | W-BR | BR |
| Designation T568B 8-Position jack pin/pair assignments | | | | | | | |

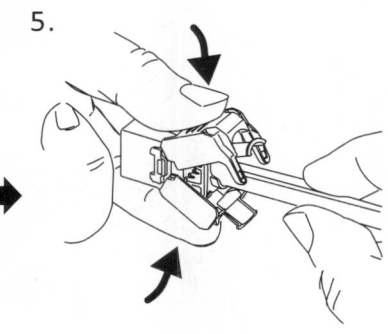
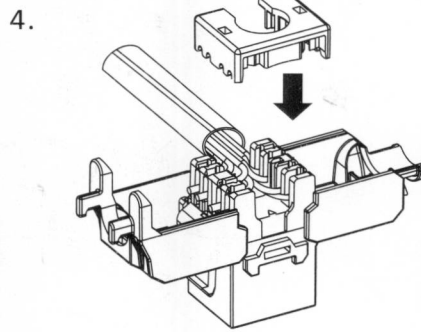
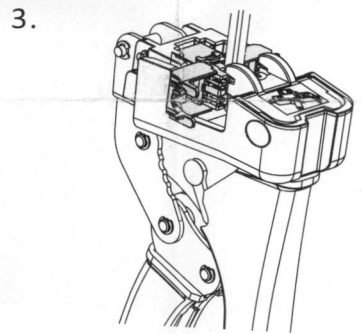
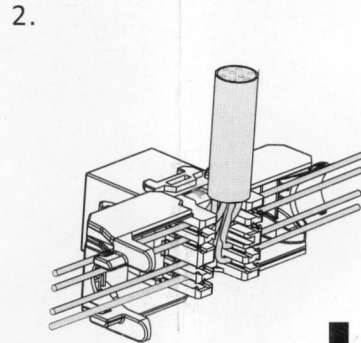
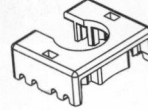
Toolless User Guide

1. Cap for Toolless

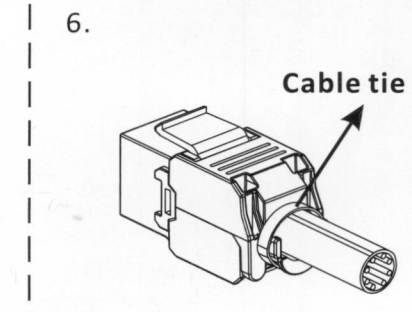
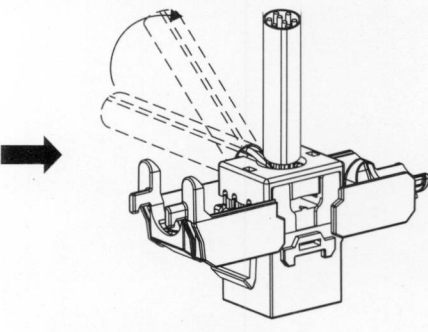
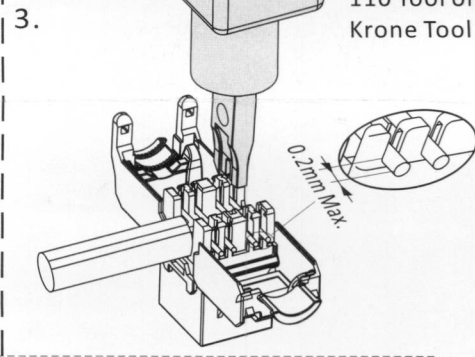
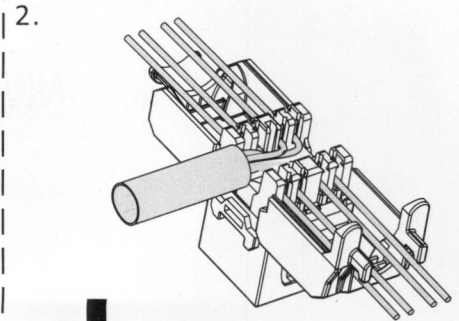


KJ-TL User Guide

1. Cap for KJ-TL & Punch Down



Punch Down User Guide



•The plug used have to comply with FCC Part 68 Subpart F rules and IEC 60603-7.