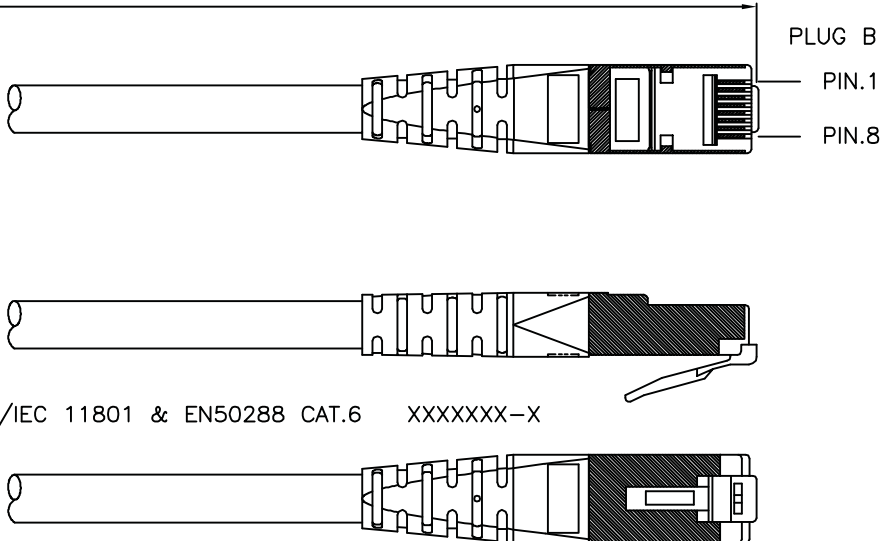
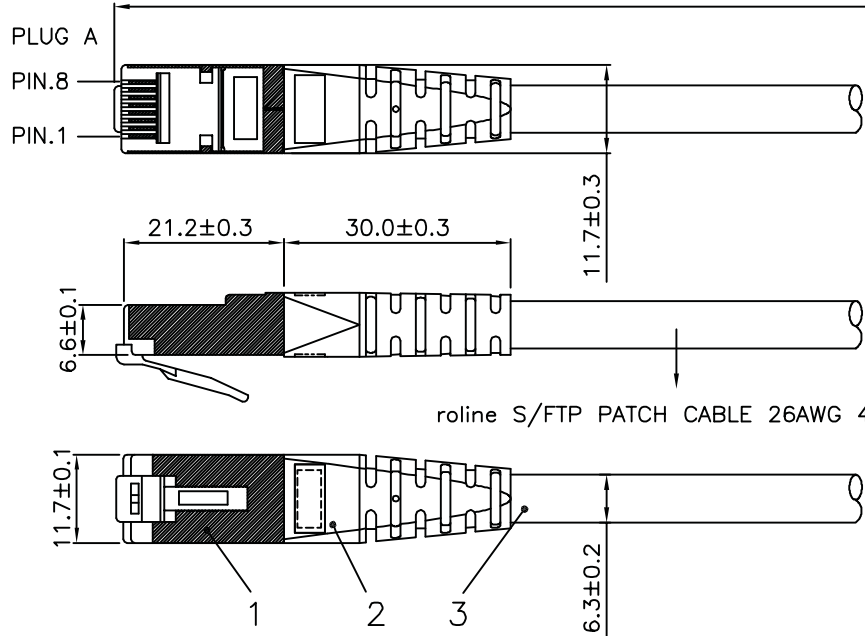


1 2 3 4 5 6

Total length (see below list)



roline S/FTP PATCH CABLE 26AWG 4PR ISO/IEC 11801 & EN50288 CAT.6 XXXXXXXX-X

- (1) Jacket Color : Pink(212C)
- (2) Wiring:T568B

item no.	length	tolerance
21.15.1319	0.3M	+20 -0
21.15.1329	0.5M	+20 -0
21.15.1339	1M	+20 -0
21.15.0843	1.5M	+20 -0
21.15.1349	2M	+20 -10
21.15.1359	3M	+20 -10
21.15.1369	5M	+30 -20
21.15.1379	7M	+30 -20
21.15.1389	10M	+30 -20
21.15.1399	15M	+30 -20
21.15.1409	20M	+70 -30

Specification :

Material :

1. RJ45 Plug :
 - 1-1. Housing : Polycarbonate,Transparent color.
 - 1-2. Contact material : Phosphor Bronze with 50-60 micro-inch Nickel plated.
 - 1-3. Contact finished : Min. 50 micro-inch Gold plated on surface contact area.
 - 1-4. Shield : Bronze with Nickel plated.
2. Molding : PVC.
3. Cable :
 - 3-1. Jacket : PVC.
 - 3-2. Conductor : 26 AWG stranded copper.
 - 3-3. Isolation : PE.
 - 3-4. Shield : Aluminum Foil Shielded for Each Pair, Tin Copper Braid.
4. Cable structure : S/FTP, 4 twisted pair.
5. Minimum Bending Radius: 50mm

item no	21.15.1319	21.15.1329	21.15.1339	21.15.0843	21.15.1349
	21.15.1359	21.15.1369	21.15.1379	21.15.1389	21.15.1399

Desc		ROLINE Cat.6 S/FTP Patch Cord,Pink			
"#": Matching DIM.	DRAWING	26.Aug.2016	byz		
"*": Important DIM.	CHECK	26.Aug.2016	Jane		
Others General DIM.	APPROVAL	26.Aug.2016	Jaimy		
GENERAL TOLERANCE OF DIMENSIONS		DATE	NAME		
X.XXX	±0.005	SCALE	1/1 (A4)	UNIT	mm
X.XX	±0.05	DRAWING NO.			
X.X	±0.1				
DRAWING CLASSIFICATION		S	SHEET	1 OF 1	A1



No.	MODIFIED AREA	ORIGINAL	MODIFY	DATE	MODIFIER

1 2 3 4 5 6 10cm